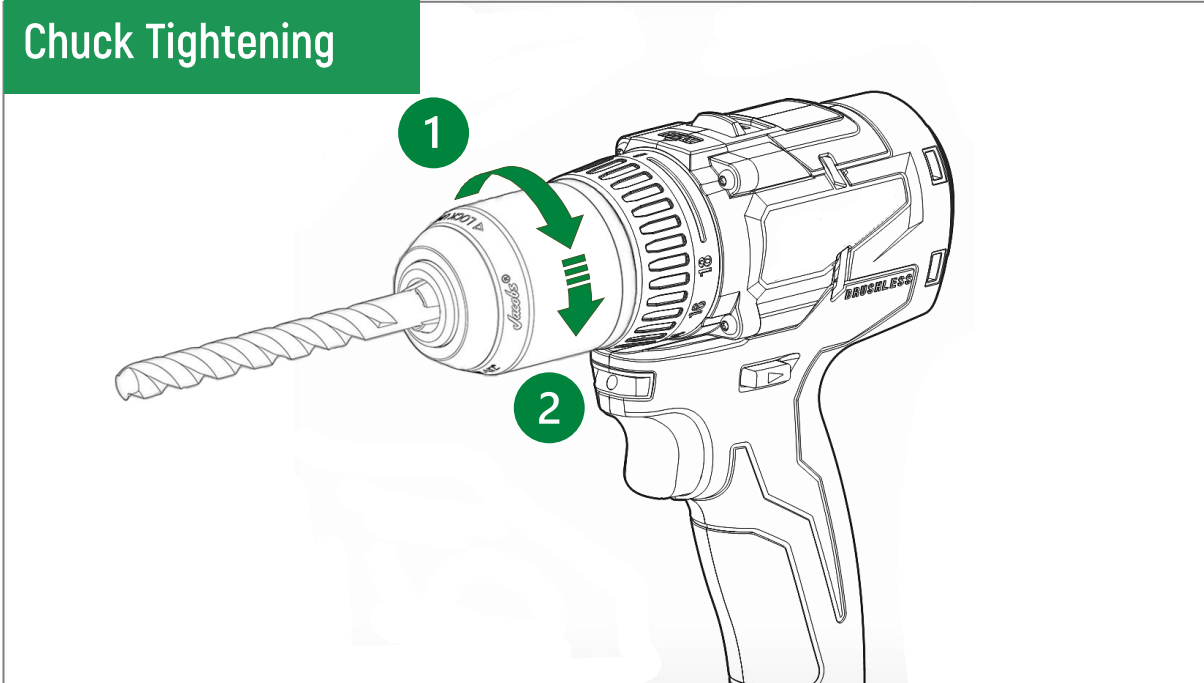


Ratchet-Lock Keyless Chuck Operation Guideline

If markings are shown on chuck sleeve, please follow them to tighten and loosen the chuck.

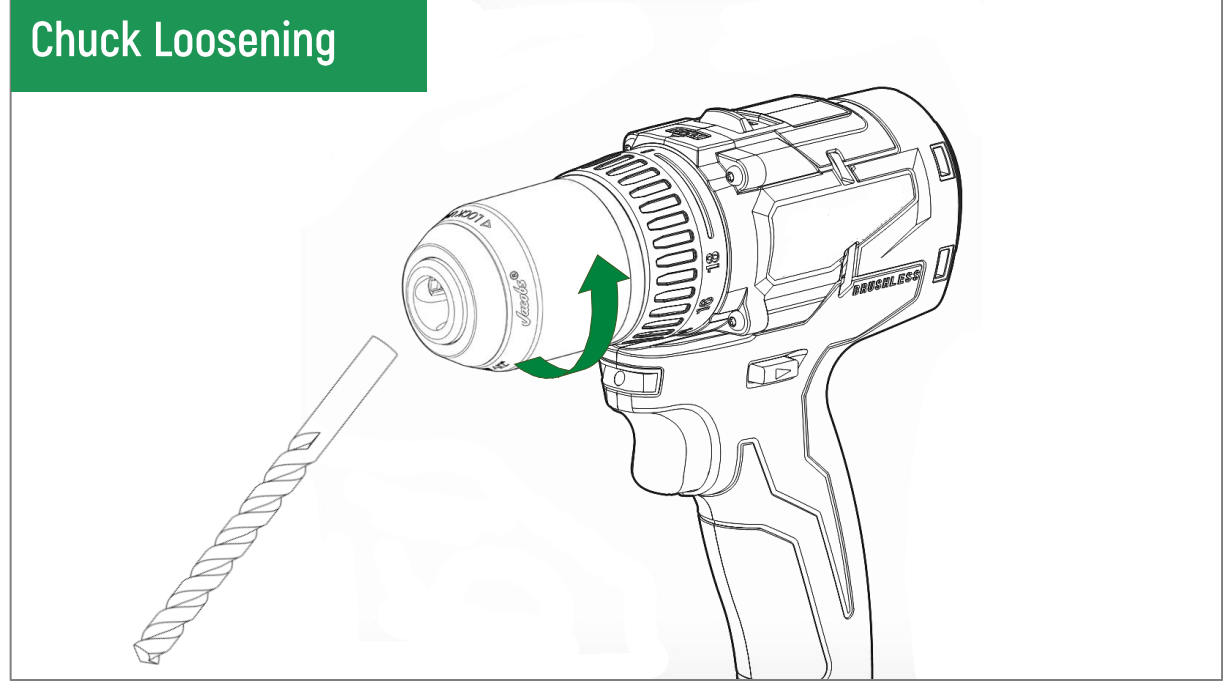
- "LOCK" or "GRIP" and "▷" shows the chuck tightening direction.
- "UNLOCK", "OPEN" or "REALEASE" and "◁" shows the chuck loosening direction.

Chuck Tightening



1. Turn sleeve in Clockwise direction until feeling or hearing the first click sound. This indicates the sleeve has moved to the lock position.
2. Continue rotating / tightening the sleeve as much as you can [several additional clicks will be heard].

Chuck Loosening



1. Turn sleeve in Counter-Clockwise direction until bit becomes loose and can be removed easily.